

CALAVA TEAK ARMCHAIR



Calava Teak Armchair Lounge is synthetic rattan knitted armchair made from teak wood. The chair with Scandinavian retro design gives this club chair a very distinct look that is almost impossible to match. Crafted using Indonesian grade A teak wood and Viro fiber wicker that is highly durable in any temperatures. Appropriate for heavy commercial use, these grade A teak lounge chairs are constructed of large teak timbers with sturdy mortise and tenon joinery.

SEAT & BACK



Viro Fiber Rope

FRAME



solid teak

DIMENSIONS

27½"h x 27"w x 35½"d

BOX SIZE

29"h x 29"w x 26"d
(1pc/box)

WEIGHT

35 lbs

CUBIC FEET

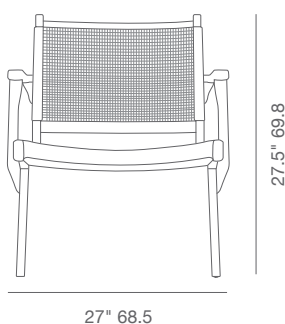
11.3

SPECIAL ORDER

min. of 24 required

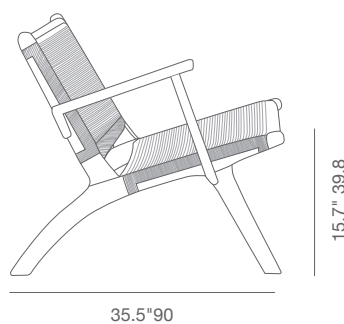
FRAME / BASE

Solid Teak Natural



27" 68.5

27.5" 69.8



35.5"90

15.7" 39.8